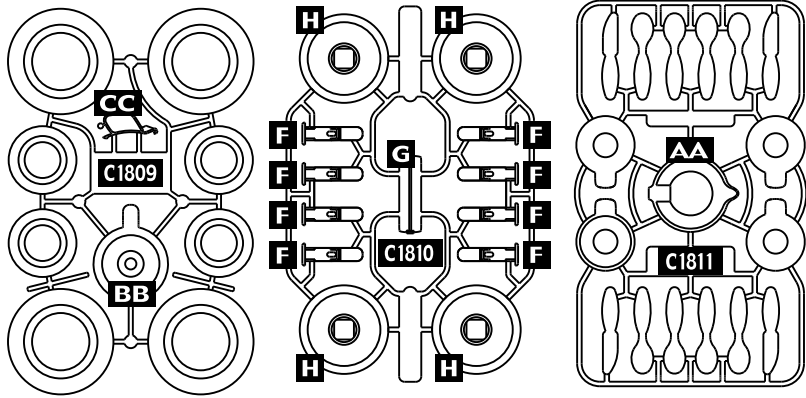
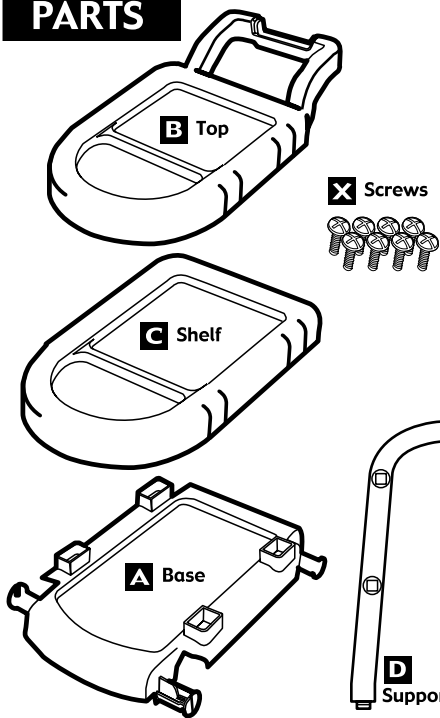


#14000 SERIES CART Assembly Instructions

PARTS



CAUTION
Keep small parts, hardware, and plastic bags out of children's reach.
Care should be taken in the unpacking and assembly of the toy.

Adult Assembly Required
Screwdriver Needed

VERY IMPORTANT!
Cut all tie bands and runners from parts at arrows.

Please call us if you need assistance with this toy. Have item number available when you call.

1-800-521-7080
M-F 7:30 - 4:30 EST

Toys in contact with food must be washed thoroughly before use.

STEP 1

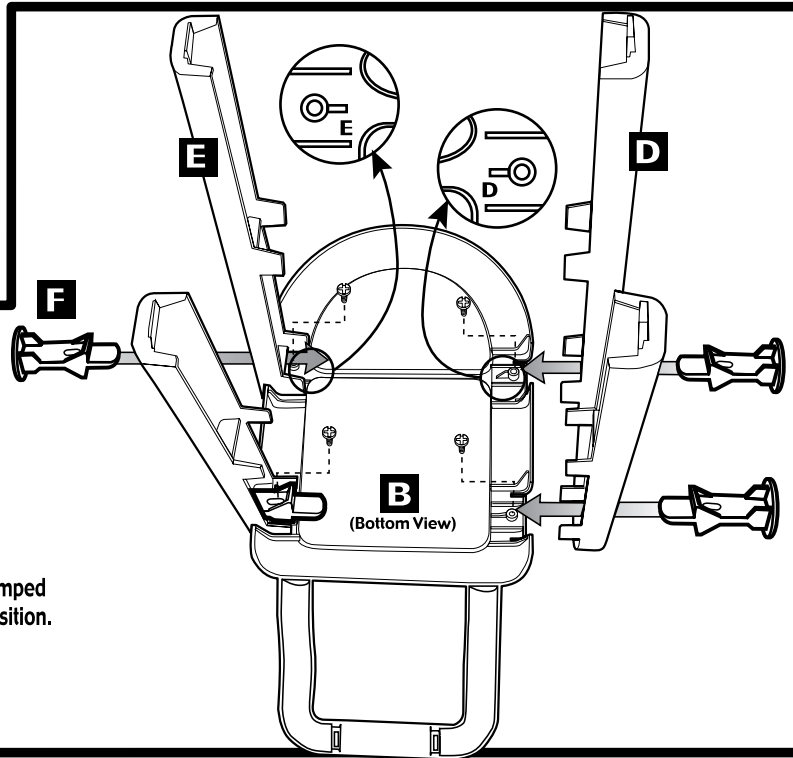
NOTE!

Invert TOP **B** to complete STEP 1.

SHELF B ASSEMBLY

Match and align SUPPORT **E** with correct side of TOP **B** (see letter E stamped in plastic) as shown and insert one POST **F** through SUPPORT **E** into position. Line up holes in POST **F** and TOP **B**, insert a SCREW **X**, tighten. Repeat for second POST **F**.

Repeat for SUPPORT **D** (see letter D stamped in plastic).



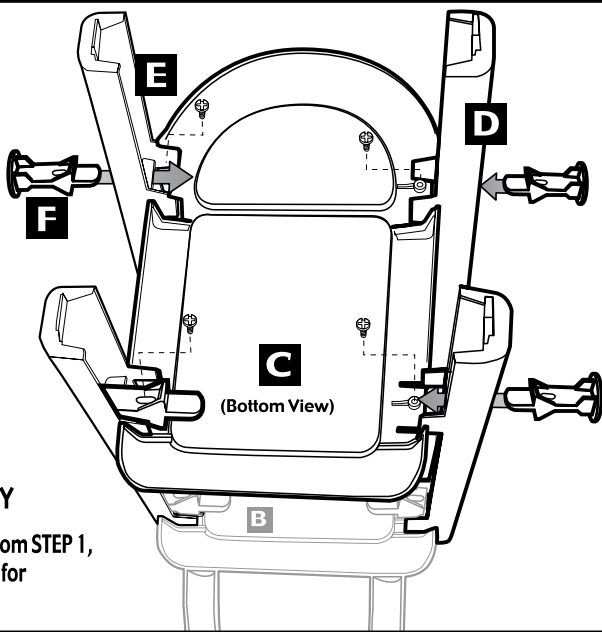
STEP 2

NOTE!

Invert SHELF **C** to complete STEP 2

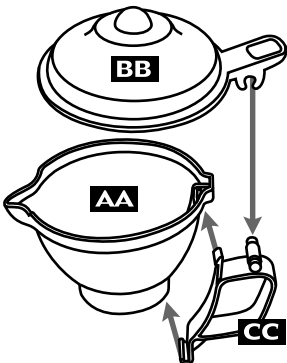
SHELF C ASSEMBLY

Repeat instructions from STEP 1, substituting SHELF **C** for TOP **B**.



TEA POT

Align the hook on the bottom of the TEA POT HANDLE **CC** with the slot on the bottom of the TEA POT **AA**. Align the tab on TEA POT HANDLE **CC** and snap into slot on TEA POT **AA**. Align hinge of TEA POT LID **BB** and snap onto pin of TEA POT HANDLE **CC**.



STEP 3

SUPPORTS and BASE, HANDLE and WHEELS

Align snaps on SUPPORTS **D** and **E** with slots in BASE **A** as shown. Press together until each snap is securely locked.

Align and press snaps of HANDLE **G** to slots in TOP **B** as shown.

Align one WHEEL **H** to an axle as shown. With the wheel in the palm of your hand, press and rotate wheel until the wheel locks onto axle. Repeat for other three WHEELS **H**.

